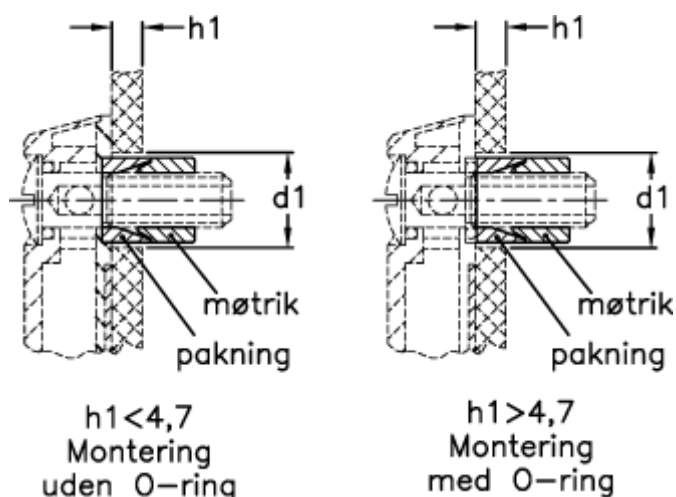


Article number: 2311031801

Description: E+G Fast mounting kit
for HCX.76-M10

Measures



$d1 +0.1 0$	$= 16.0$
Max tightening torque (Nm)	$= 7$
With O-ring $h1$ max	$= 6.3$
With O-ring $h1$ min	$= 4.7$
Without O-ring $h1$ max	$= 4.7$
Without O-ring $h1$ min	$= 1.5$